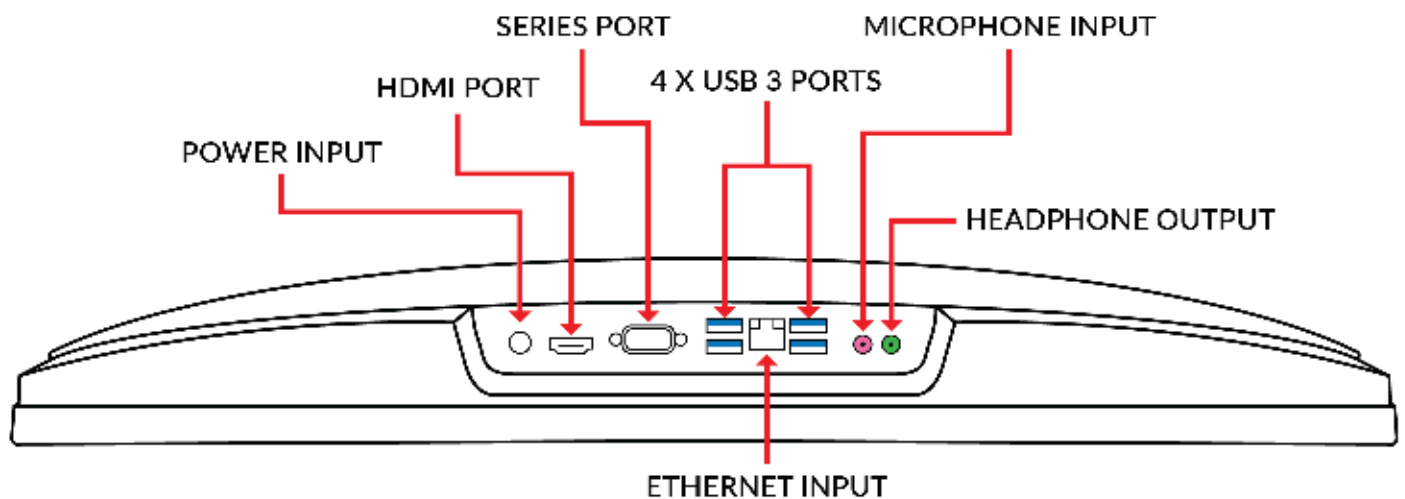
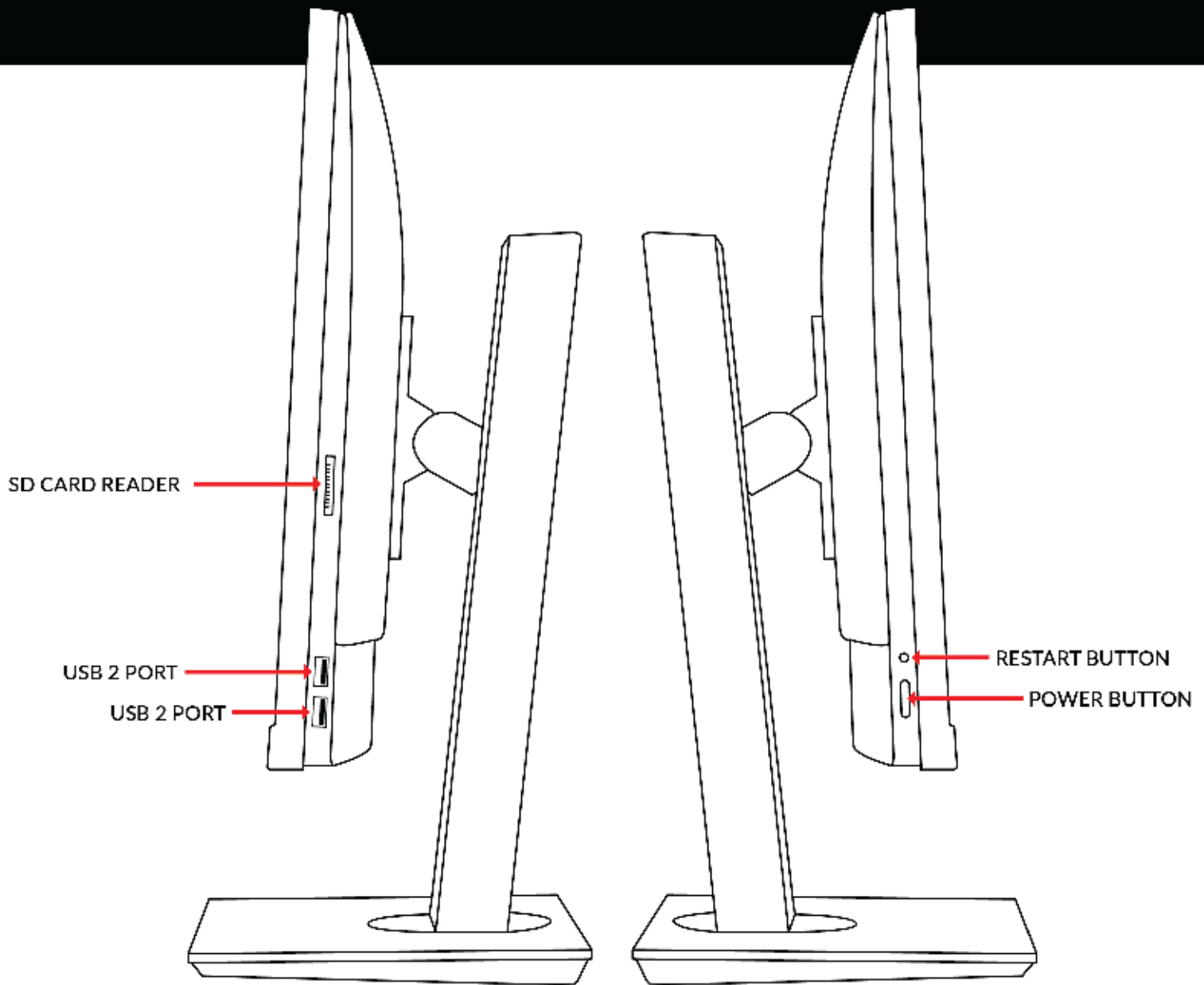


PORTUS PRO USER GUIDE



PORTUS PRO SET UP GUIDE

1

OPEN BOX TABS AND LAY DOWN FLAT.



2

GENTLY SLIDE THE CONTENTS OUT FROM THE BOX AND REMOVE ANY ACCESSORIES SUCH AS THE BASE AND CABLES.



3

REMOVE PACKAGING FROM THE AIO AND CAREFULLY REMOVE THE FOAM COVER FROM THE DEVICE.



4

ONCE ALL OTHER COMPONENTS HAVE BEEN REMOVED FROM THEIR PACKAGING YOU WILL HAVE THE FOLLOWING PIECES TO ASSEMBLE.



5

START OFF BY ATTACHING THE STAND TO THE BASE BY USING THE 4 SMALL BLACK SCREWS.



6

ONCE THE BASE IS SECURED TO THE STAND, USE THE LONGER BLACK SCREWS TO ATTACH THE STAND TO THE AIO USING A SMALL AMOUNT OF FORCE PUSHING DOWN WHILE TIGHTENING.



7

LASTLY, PLUG THE POWER CABLE INTO THE FAR LEFT PORT AND THE USB DONGLE FOUND INSIDE THE BATTERY COMPARTMENT OF THE MOUSE



8

IF YOU HAVE ANY QUESTIONS REGARDING THE SETUP OF YOUR AIO PC, PLEASE CONTACT US

CALL 02086695796
OR
EMAIL SALES@PORTUSDIGITAL.COM